

Free Orbit Shortcut

Published Date: 11-20-2009

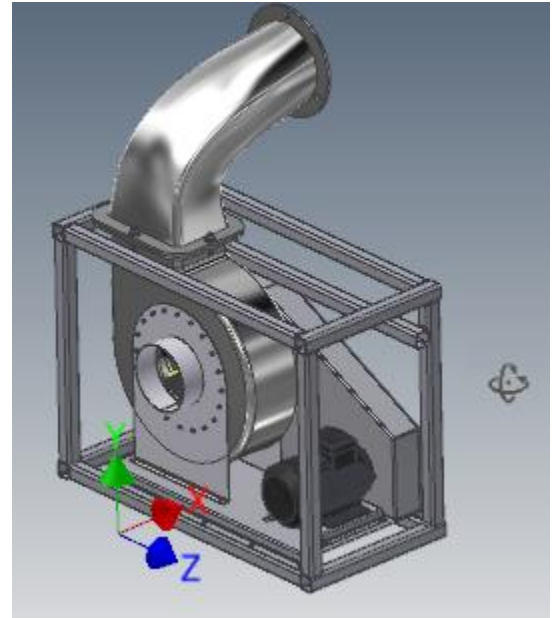
Applies to: Inventor 2010

Challenge

My F4 command is assigned to something else, so what's another way to navigate in 3D?

Solution

Hold shift and press and drag the middle wheel on your mouse. This will activate the Free Orbit tool in model mode.



For more technical solutions visit www.ketivtech.com/support