

Creating an Offset Sketch

Published Date: 09-03-2009

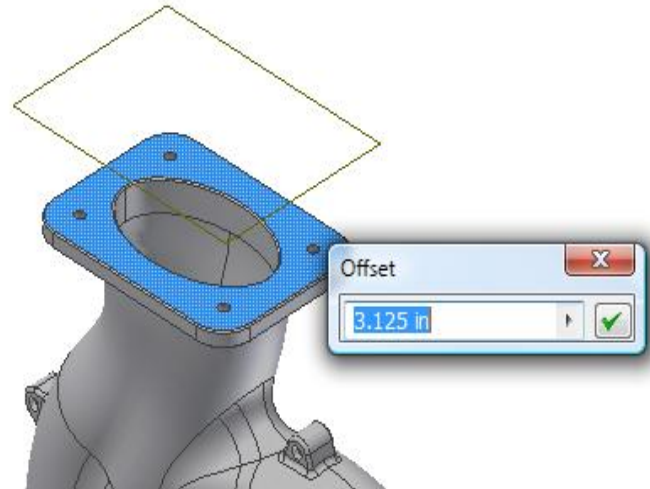
Applies to: Inventor All Versions

Challenge

You want to create a sketch, offset from a surface quickly and easily.

Solution

Start your sketch tool, and select the face you want to create the offset sketch from. Hold the left mouse button down while dragging away from the face. Inventor will create the work plane and sketch plane simultaneously.



For more technical solutions visit www.ketivtech.com/support